

TAV3112DCIR-MP

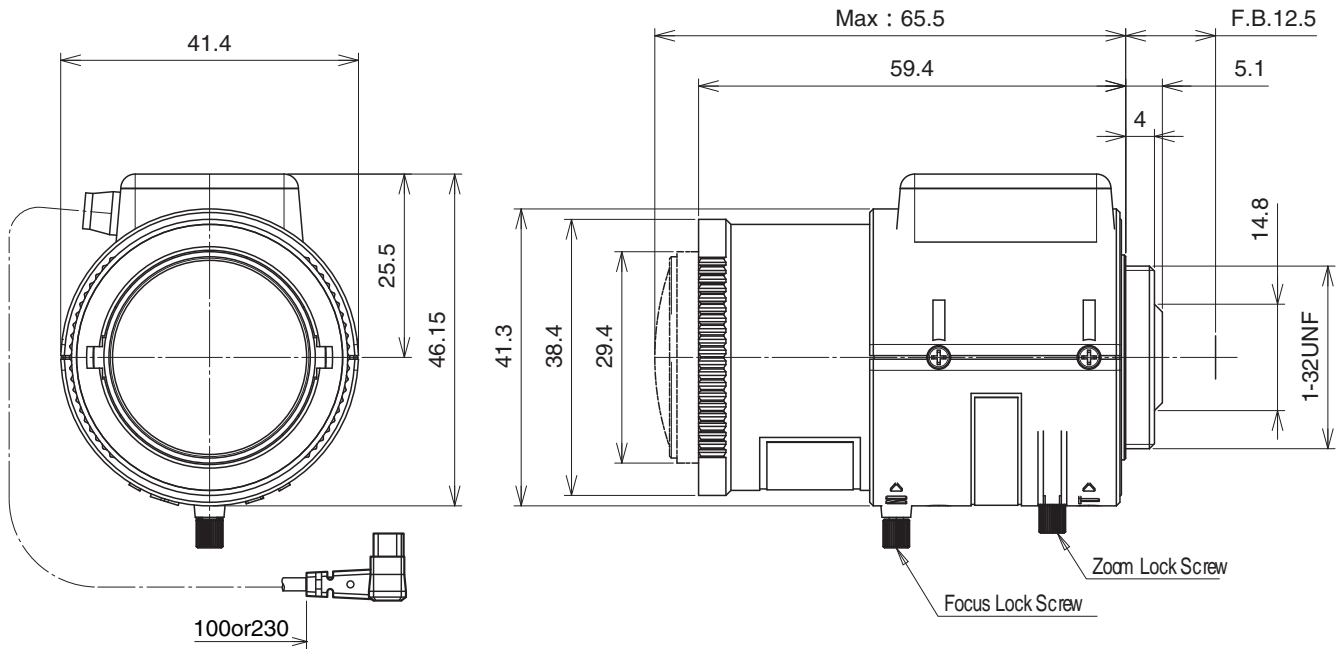
[SPECIFICATIONS] **Mega Pixel + Aspherical + Day&Night IR Lens** Image Size: $\frac{1}{2.7}$

Focal Length:	3.1~ 12mm	Flange Back :	12.5mm
Maximum Relative Aperture :	1:1.5	Operation :	Focus:Manual Zoom:Manual Iris:IG(Auto Close System)
Iris :	F1.5 ~ 360 (With ND Spot Filter)	Operation Voltage	Close to Open : Less than 3V Open to Close : More than 0.5V
Zoom Ratio:	3.9 x	Operation Temperature :	-10 to +50C
Angular Field of View :	97.2 x 72.5 deg.at 3.1mm 27.7 x 20.9 deg.at 12mm	Mount :	CS-Mount(Adjustable Lens Position)
Image Format :	5.4 x 4.0mm (6.7mm)	Size, Weight :	41.3 x 46.2 x 59.4mm, Approx. 70g
Minimum Object Distance :	0.3m (From Front Vertex)		
Optical Back Focal Distance :	7.84mm (n Air)		

[COMPOSITION]

- Lens1
- Lens Cap1
- Dust Cap1

[DIMENSIONS]



Unit:mm

[CIRCUIT DIAGRAM]

